

CONTENTS

	PAGE
THE HYPER 31 HAMMER	
2. HAMMER COMPONENTS	4
3. HAMMER SPECIFICATION & AIR CONSUMPTION	5
HYPER 31 HAMMER MAINTENANCE	
4. STRIPPING (DISMANTLING) THE HYPER 31	6
5. CHECKING FOR WEAR & DAMAGE	
5.1 PISTON	7
5.2 DIVERTER	8
5.3 WEARSLEEVE	9
6. REBUILDING (ASSEMBLY) OF THE HYPER 31	10
7. BUTTON BIT FOOT VALVES CORRECT DIAMETERS AND PROTRUSION HEIGHTS	11
LUBRICATION	
8. RECOMMENDED LUBRICANTS AND LUBRICATION RATES	11
TROUBLESHOOTING	
9. STORAGE PROCEDURES	12
10. TROUBLESHOOTING	12
APPENDIX	
BREAKOUT WASHERS A	13
HAMMER CLAMPING POSITIONS B	14

1. Introduction

The Robit range of Hyper down the hole hammers are strong and robust tools of a simple and straight forward design to provide maximum performance, with a minimum of maintenance.

Please Note:

That, contrary to other Robit hammer models, the Hyper series do use bits with Footvalves.

Robit Hyper hammers are supplied as standard with a Check Valve arrangement which is designed to maintain the pressure inside the hammer when the air is switched off and so help prevent contaminated water from entering the hammer.

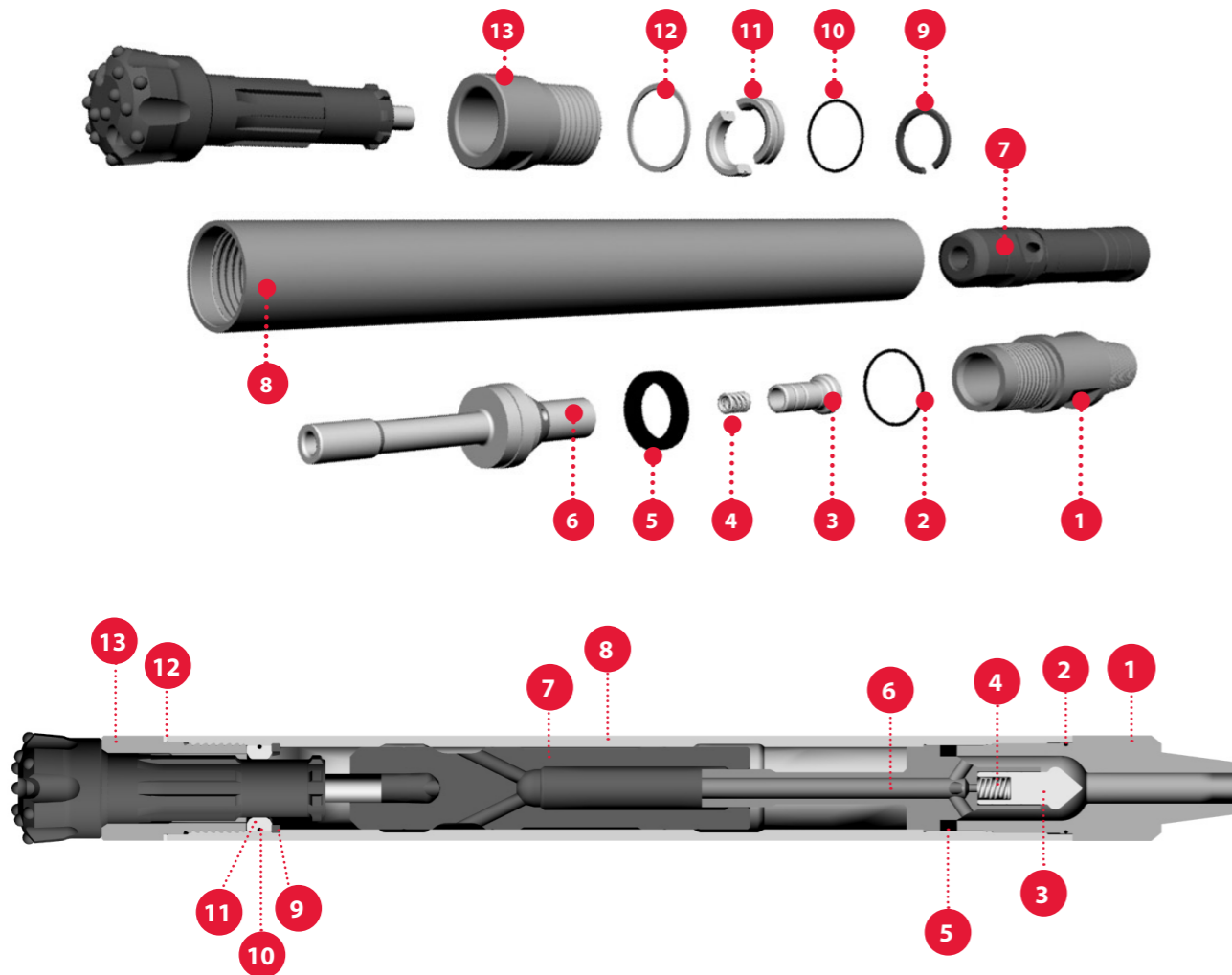
Robit Hyper hammers are designed to give optimum performance with the minimum consumption of compressed air. If, however, particular deep-hole application require extra air flushing. This can be achieved by drilling through the soft alloy plug in the piston.



**ALWAYS THINK
SAFETY FIRST!**

2. Hammer Components

Ref	Description	Part number
1	Backhead	HSH313801M
2	Backhead 'O' ring	IPBOR01
3	Check valve	IPRCV01
4	Check valve spring	IPRCVS01
5	Compression ring	HSH3128
6	Diverter	HSH3120
7	Piston	HSH3103040 (IR3.5)
8	Wearsleeve	HSH3100
9	Piston retaining ring	HSH3132
10	Bit retaining 'O' ring	IPBOR01
11	Bit retainer	HSH3137040 (IR3.5)
12	Breakout washer	HSH3126
13	Chuck	HSH3135040 (IR3.5)
Complete Hammer		BR31H40 (IR3.5)



3. Hammer Specification & Air Consumption

Hammer Specification

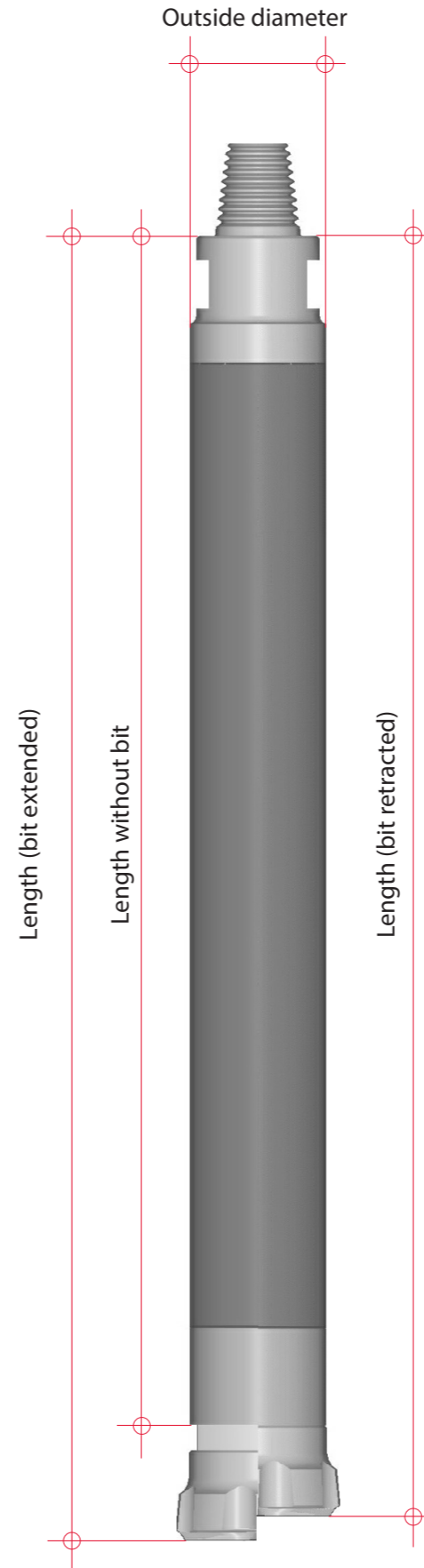
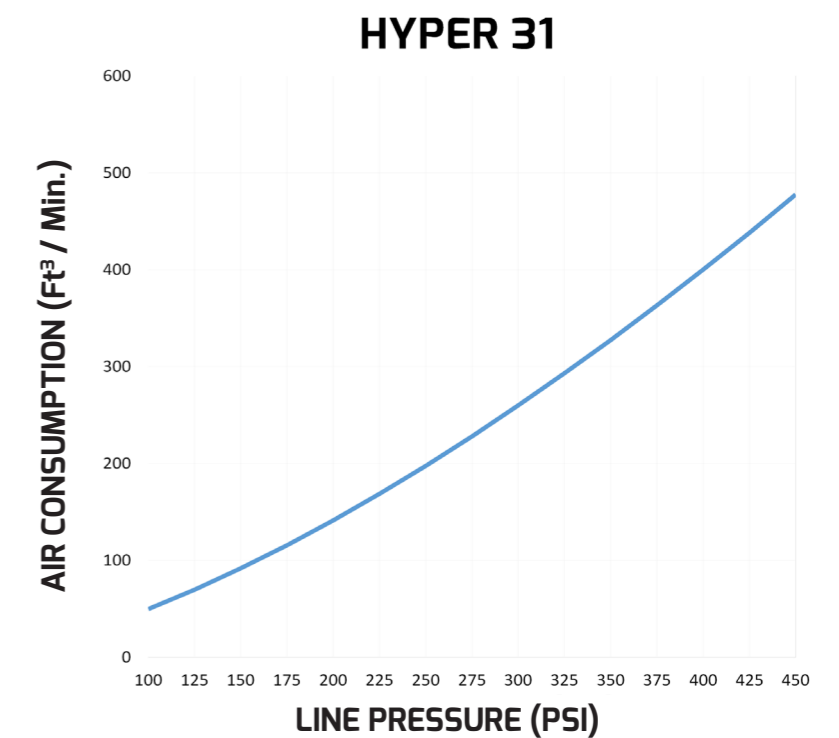
Key information	Imperial	Metric
Length (without bit)	32.31 "	821 mm
Length (bit extended)	36.52 "	928 mm
Length (bit retracted)	35.30 "	897 mm
Outside diameter	3.12 "	79.2 mm
Bore diameter	2.45 "	62.2 mm
Piston stroke	4.00 "	102 mm
Piston weight	10.78 lbs	4.9 kg
Complete hammer weight (without bit)	49.27 lbs	22.35 kg

This hammer comes with industry standard **2 3/8" api reg. pin backhead** and **IR3.5 bit shank** fitting.

Hammer Conversions

Conversion	Piston	Bit Retainer	Chuck	Complete Hammer
Mach33	HSH3103	HSH3137038	HSH3135038	BR31H03

Air Consumption



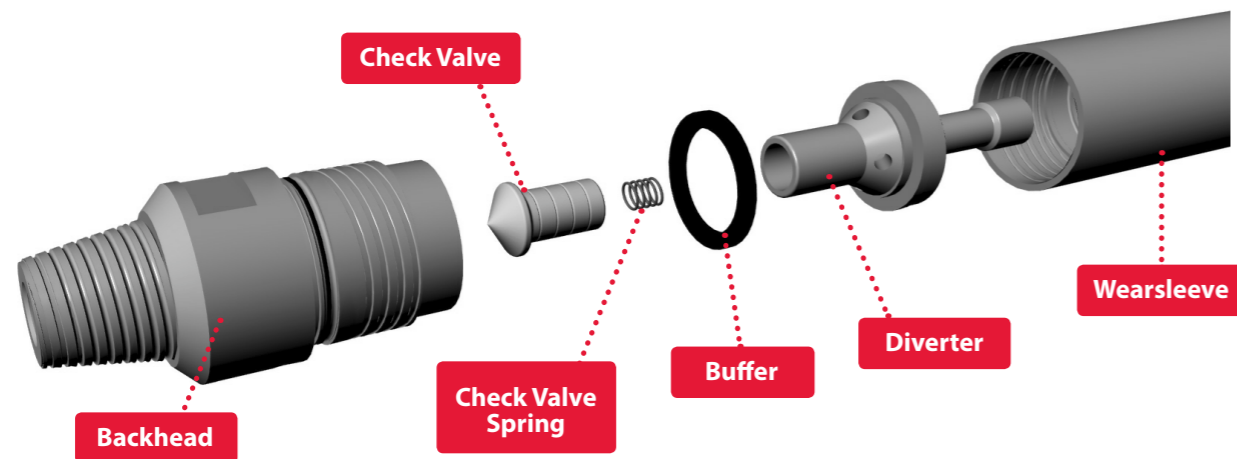
4. Stripping the Hyper 31 Hammer

After extensive drilling the chuck might become too tight to loosen on a Robit Bench Splitter or the drill rig. If this problem occurs the breakout washer can be ground or drilled out, which will relieve the pressure and enable the chuck to be removed.

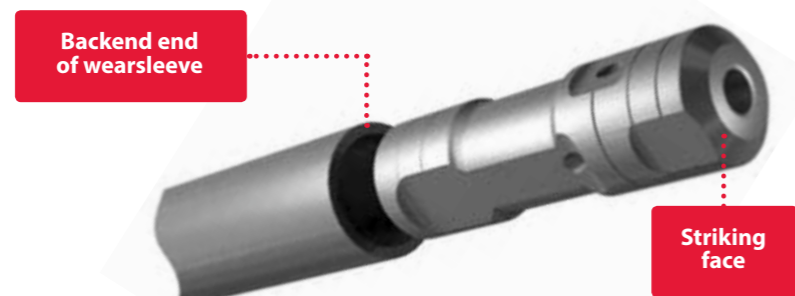
(NB On no account should the wearsleeve be impacted by a hand hammer. Splitting should not be assisted by the use of localised heat i.e. Blow torch.)

Assuming now both the Chuck and Backhead threads have been loosened either on the drilling rig, or a hammer splitter. The stripping procedure is as follows.

1. First remove the Chuck assembly. This comprises the Button Bit, Chuck, Chuck Release Washer and the Bit Retainers.
2. With the hammer laid horizontal, unscrew the Backhead and remove it from the Wearsleeve. The Diverter along with the Check Valve arrangement can now be pulled from the Backhead end.
3. The piston can now be removed by lifting the chuck end of the wearsleeve.



4. Unless there is damage to the Piston Retaining Ring it should not be necessary to remove it from the Wearsleeve. However if the Retainer is damaged it can be removed by dropping the inverted Piston onto the ring from the Backhead end of the Wearsleeve.



5. Checking for Wear and Damage

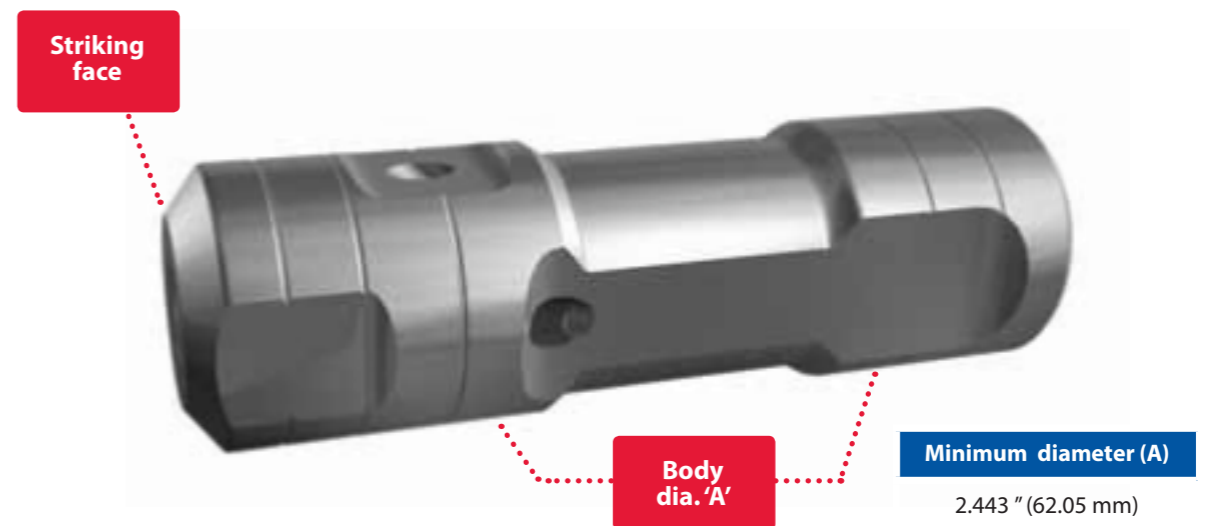
5.1 PISTON



Premature wear to internal parts is a result of either:

1. **Incorrect or insufficient lubrication.**
2. **The ingress of debris into the hammer.**
3. **Incorrect service and storage.**

The maximum wear allowances shown in this section are a guide as to when to replace parts. In certain conditions parts may need to be replaced before they reach the sizes shown.



1. There are two main areas to examine on a used Piston. Check the Body diameter 'A' for signs of 'Pick-up' and burning (both are signs of poor lubrication.) Using a micrometer, measure the diameter and refer to the table below for the minimum size.

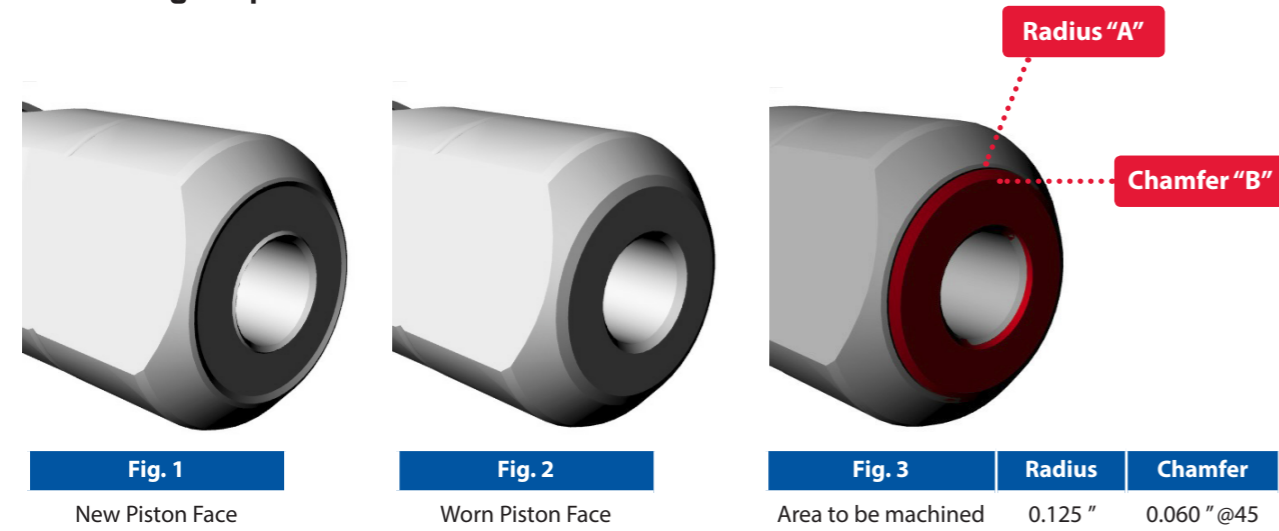
Any light 'Pick-up' marks can be removed by using emery cloth, however if there are signs of overheating and cracking, the Piston should be replaced and the lubrication system examined.

2. Secondly, using a micrometer, measure the diameter of the bore at both ends of the piston and refer to the maximum quoted sizes.

3. Examine the striking face. Distortion is acceptable providing there are no signs of cracking. Burrs and dents can be removed with an emery stone.

5. Checking for Wear and Damage

Maintaining the piston



During the working life of the hammer the Striking Face on the Piston may become dented or deformed (see Fig. 2). To prevent this face from cracking, or chipping, the Piston should be returned to a lathe where the striking face can be re-machined flat and then have the outer radius and inner chamfer reformed (see Fig. 3).

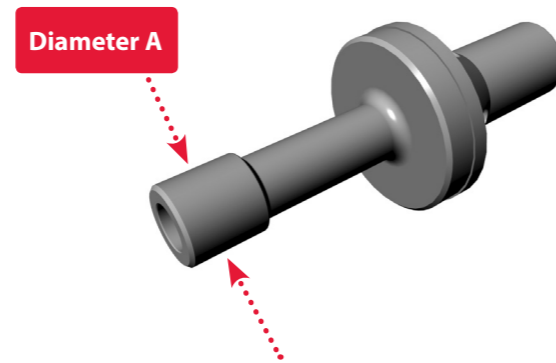
Care should be taken to remove the minimum amount of material during this re-machining process and at no point should more than 2mm be removed from the face. Pistons with wear patterns, or indentations deeper than 2mm should be replaced.

The table "Fig. 3" contains useful machine information for reforming the piston face.

5.2 DIVERTER

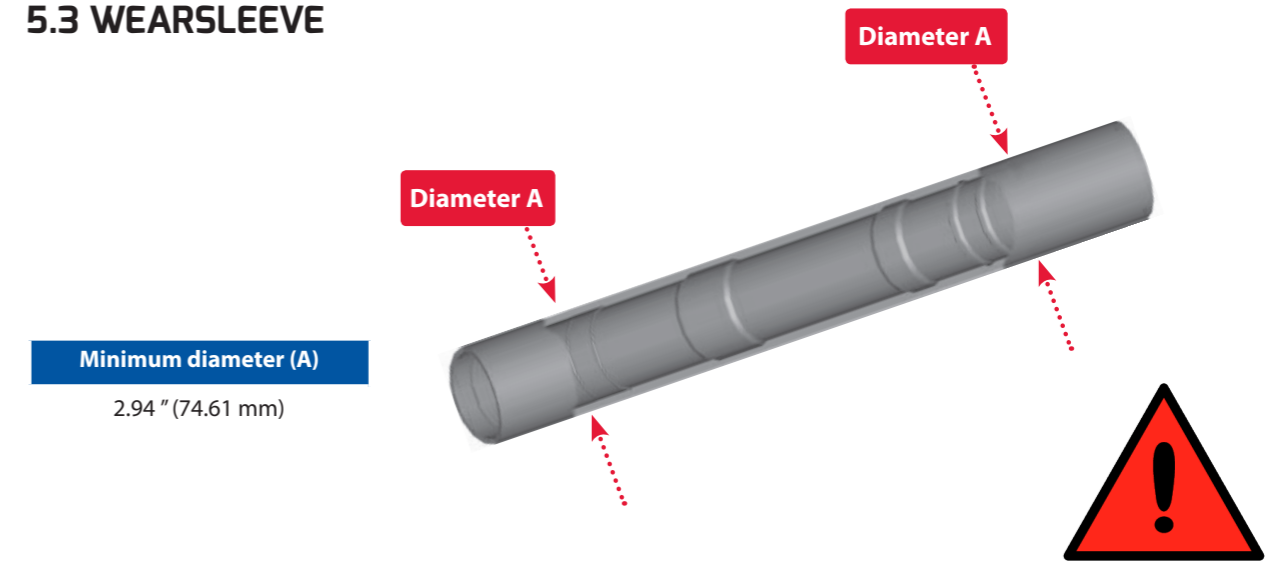
Minimum diameter (A)
1.120 " (28.45 mm)

Examine the diverter Dia. 'A', using a micrometer, check the diameter has not worn under the specified minimum. If there are signs of 'Pick-up' they should be removed by using emery cloth.



5. Checking for Wear and Damage

5.3 WEARSLEEVE



Using either a micrometer or a vernier, measure the outer diameter 'A' of the Wearsleeve. If it is below the minimum it must be replaced. The wear rate of the Wearsleeve can be slowed by replacing the Chuck before the wear area reaches the Wearsleeve.

The bore of the Wearsleeve should be periodically checked for any signs of 'Pick-up'.

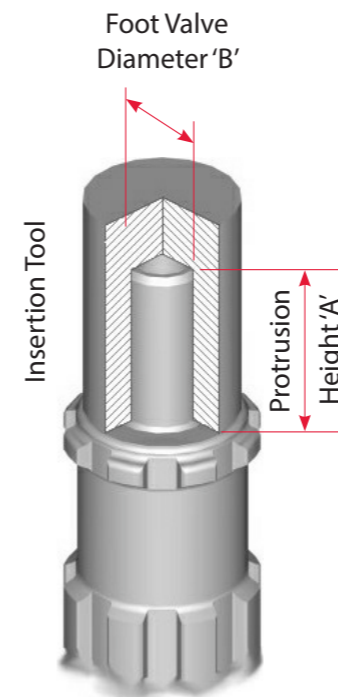
If a Piston has broken within the Wearsleeve it is imperative that the bore is honed to remove any Burrs or 'Pick-up'. Failure to do so will result in 'Pick-up' on the replaced Piston and will lead to early failure of this component.

6. Rebuilding the Hyper 31



1. Ensure all the maintenance work outlined in the previous section has been completed.
2. Stand the Wearsleeve on the floor, Chuck end upwards. Insert the Piston Retaining Ring into the bore, hammer the ring down until it springs into the groove in the Wearsleeve bore. It is important to make sure that the Piston Retaining Ring is positioned in the groove correctly. Failure to do so will seriously effect hammer performance.
3. Clamp the Wearsleeve horizontally in a vice taking care not to overtighten the jaws. Assemble the Chuck, Chuck Release Washer and Bit Retainers around the Bit ensuring the Retainers are fitted with a new 'O'Ring. Grease the bit retainers well to ensure they don't slip.
Cover the threads with a copper based grease. Then lift the whole assembly into the Wearsleeve. Screw the Chuck fully in until there is no gap between the Wearsleeve and the Chuck Release Washer.
4. Coat the Piston with rock drill oil and slide it into the Backhead end of the Wearsleeve. (Ensure the Piston striking face enters first.)
5. Slide the rubber buffer onto the diverter section.
6. Insert the spring and checkvalve into the diverter, then slide the assembly into the backhead end of the wearsleeve.
7. Fit a new 'O'Ring to the Backhead and coat the threads with a copper based thread grease. Screw the Backhead into the Wearsleeve until it is hand tight, then measure the gap between the Wearsleeve face and the lock-up face on the Backhead. This gap should be a minimum of 1 mm, if the gap is smaller, the ring should be removed and replaced with a new rubber buffer. When the gap exceeds 1mm the Backhead should be fully tightened using the appropriate Backhead spanner.

7. Button Bit Foot Valves



Robit Hyper hammers are designed to be used with Foot Valves that are to the following specifications:

Shank Type	Insertion Tool No,	Protrusion Height "A"	Footvalve Diameter "B"
IR3.5	BBFVIT040	2.285" / 58.04 mm	0.960" / 24.38 mm

To guarantee the diameter and protrusion height are correct it is recommended the correct insertion tool is used.

Using Foot Valves which are larger in diameter than the sizes shown, will result in premature failure of the Foot Valve.

Foot Valves which are much smaller in diameter than the sizes shown will reduce the performance of the hammer.



8. Lubrication

Inadequate supply of the correct type of oil is a major contributor to excessive component wear and consequently, a rapid fall off in performance. An air line lubrication should be installed, preferably on the drill rig. This should be of sufficient capacity to supply the required volume of oil for a full shift. The lubrication must be adjustable and set to ensure the correct flow of oil required by the hammer. The amount of lubricating oil will vary with the operating pressure and volume of air used by the hammer. As a general guide, any Robit Hyper hammer will require 1/3 rd of a pint per 100 CFM through the hammer (0.07 ltr per 1.0 M3/min per hour).

**Eg Hyper 41 operating at 300psi = 427cfm = 1.42 pints per hour
21bar = 12.1cmm = 0.8 litre per hour**

When drilling with foam or water, the amount of lubricating oil should be increased by 50%. When new drill tubes are put into use, it is recommended that 1/2 a pint of oil (0.25 ltrs) be poured into each new tube to give them a good coating of oil and to prevent the hammer from running dry at any time. Ambient temperatures will determine the grade of Rock Drill oil to be used. Should the ambient temperature be between 0°C and 25°C, use a 30 grade oil. When the ambient temperature is over 25°C, use a 50 grade oil. A selection of recommended Rock Drill oils suitable for Robit Hyper hammers is given below.

MAKE	TYPE 30 GRADE	TYPE 50 GRADE
ROBIT	T220	T320
BP	ENERGOL RD-E 100	ENERGOL RD-E 300
CHEVRON	ARIES 100	ARIES 320
SHELL	TORCULA 100	TORCULA 320
ESSO / EXXON	AROX EP 100	AROX EP320



9. Hyper 31 Storage Procedure

We recommend following the points listed below when removing a 'Down hole hammer' from service. This will ensure trouble free operation once the hammer starts work again.

The hammer should be stripped and cleaned and free of all water/moisture as possible. Robit 320 or similar rock drill oil should be poured into backhead (see chart below for quantity) allowing all parts to be coated throughout the hammer. Both ends of the hammer should be then covered to prevent the ingress of dirt, etc. It should be then laid horizontally in a dry environment ready for use next time.

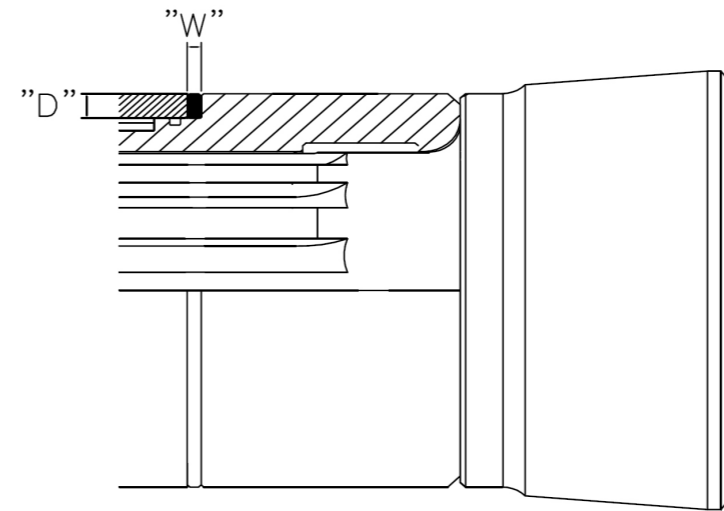
Model	Qty in UK Pints	Qty in liter's
Hyper 31	1/4	0.14

If this procedure is followed then apart from protecting the hammer from corrosion it will protect the parts from premature wear and of course reduce 'down time' and eventual repair costs. However we strongly recommend that the hammer, especially if stored for any long periods of time should be stripped, cleaned, inspected and re-oiled prior use to be sure of smooth drilling.

10. Troubleshooting

PROBLEM	PROBABLE CAUSE	REMEDY
INOPERATIVE DRILL	Drill bit blowholes blocked	Unblock holes
	Dirt inside drill	Strip and clean drill
	Worn or damaged parts	Replace damaged parts
	Insufficient lubrication	Check oil level, adjust lube needle value
	Excessive lubrication	Adjust lube needle value
	Hanging Piston	Piston stuck. Polish out the score marks.
	Insufficient air pressure	Check compressor discharge and increase to operational value
SLOW PENETRATION	Insufficient air pressure	Increase discharge pressure
	Dull drill bit	Re-grind or change bit
	Worn drill parts	Replace worn bit
	Too much or too little lubrication	Check oil level and if necessary adjust lube needle value
	Dirt in drill	Strip and clean
LOW RETURN AIR VELOCITY	Insufficient hole flushing air passing through hammer	Drill or increase hole size through the piston
	Drill bit exhaust holes blocked	Clean out blockage
SPASMODIC OPERATION	Failed or damaged parts	Overhaul drill
	Lack of oil	Check lubrication
	Drill bit broken	Replace bit
	Dirt in drill	Strip and clean

A. Chuck Release Washers



CHUCK RELEASE WASHERS		
Hammer Model	"W"	"D"
Hyper 31	0.160" - 4.00 mm	0.187" - 4.76 mm

Chuck Release Washers are fitted to the Robit Range of Hyper Hammers to assist the removal of the Chuck from the Wearsleeve after drilling.

The Chuck Release Washer is manufactured from a composite material that reduces the friction between the lock up faces on the Chuck and Wearsleeve making it easier to overcome the tensional loading applied to these parts during the drilling process.

Due to the forces applied to the Chuck Release Washer you may find that its thickness ("W") is reduced during the drilling cycle and it is therefore recommended that a new Washer be fitted each time the Chuck is removed.

It is possible that on some of the larger Hammers in the Robit range, when drilling with large diameter Button Bits or Overburden Systems, certain conditions can generate higher torques than normally expected, resulting in difficulties when trying to remove the Chuck from the Wearsleeve. Should this occur then the removal of the Chuck can be achieved by cutting away the Chuck Release Washer. We do however stress at this point that cutting away the Chuck Release Washer is a final option and should not be done until all other options have proved unsuccessful.

If the cutting away of the Chuck Release Washer is necessary for the removal of the Chuck then it must be done with extreme care to avoid damage to either the Chuck or the Wearsleeve. The composition of the Chuck Release Washer allows for it to be cut with either a hacksaw or a small hand grinder equipped with a slitting wheel. The hacksaw method is much safer and less likely to damage the Chuck or Wearsleeve, but obviously much slower than the hand grinder with a slitting wheel. To remove the Chuck Release Washer a cut must be made in the centre of the washer all the way around it's circumference, and completely through the Washer, thus transforming the single washer into two thinner washers that will then spin freely. Great care must be taken, especially if the Washer is cut with a slitting wheel, to ensure that the cut only penetrates the Washer and does not pass through into the body of the Chuck.

The size shown as 'D' in the above table should be your MAXIMUM depth of cut, and it is recommended that either the saw blade or the slitting wheel are marked in some way so as to indicate when they have achieved this depth.

